

ROTATING RIGHT

CSF SERIES SINGLE CARTRIDGE HOUSINGS

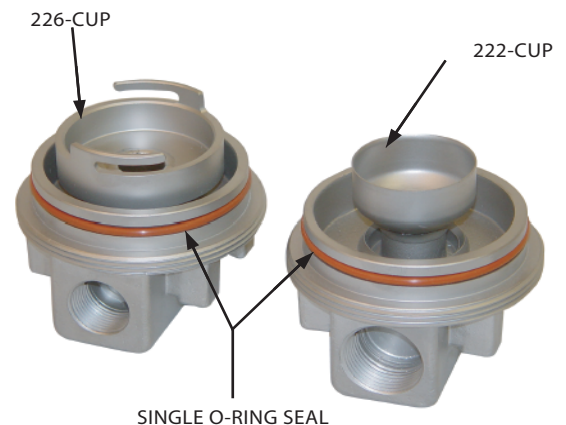


CSF SERIES Single Cartridge Housings

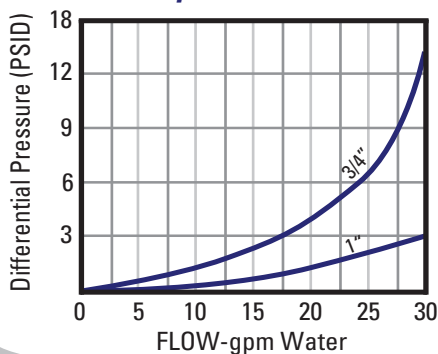
The CSF series single open end cartridge housing accepts either 222 or 226 style elements, and is made of 316L Stainless Steel with a maximum design working pressure of 300 P.S.I. (20 bar) @ 200°F (93°C). Designed with a quick locking ring closure for easy cartridge change outs. The CSF Series is available in 3/4" and 1" connections with other fittings available. As well as a wide variety of gasket options that make this housing compatible with almost any fluid. The standard gasket material is Buna-N. Please refer to our complete ordering guide for a complete list of options or contact one of our technical specialist for help.

Features

- Designed for industrial and commercial filtration needs
- Heavy duty construction for durability
- Offered in 316L stainless steel
- Plated ring closure for quick cartridge change outs
- In line fittings for easy installation
- Available in 222 or 226 style adaptors
- Housings accept both fin or flat cap configurations
- Choose from FNPT, Flanged, Sanitary or BSP connections
- Standard with mounting bracket kit.



**Housing Pressure Drop vs.
Liquid Flow Rate**

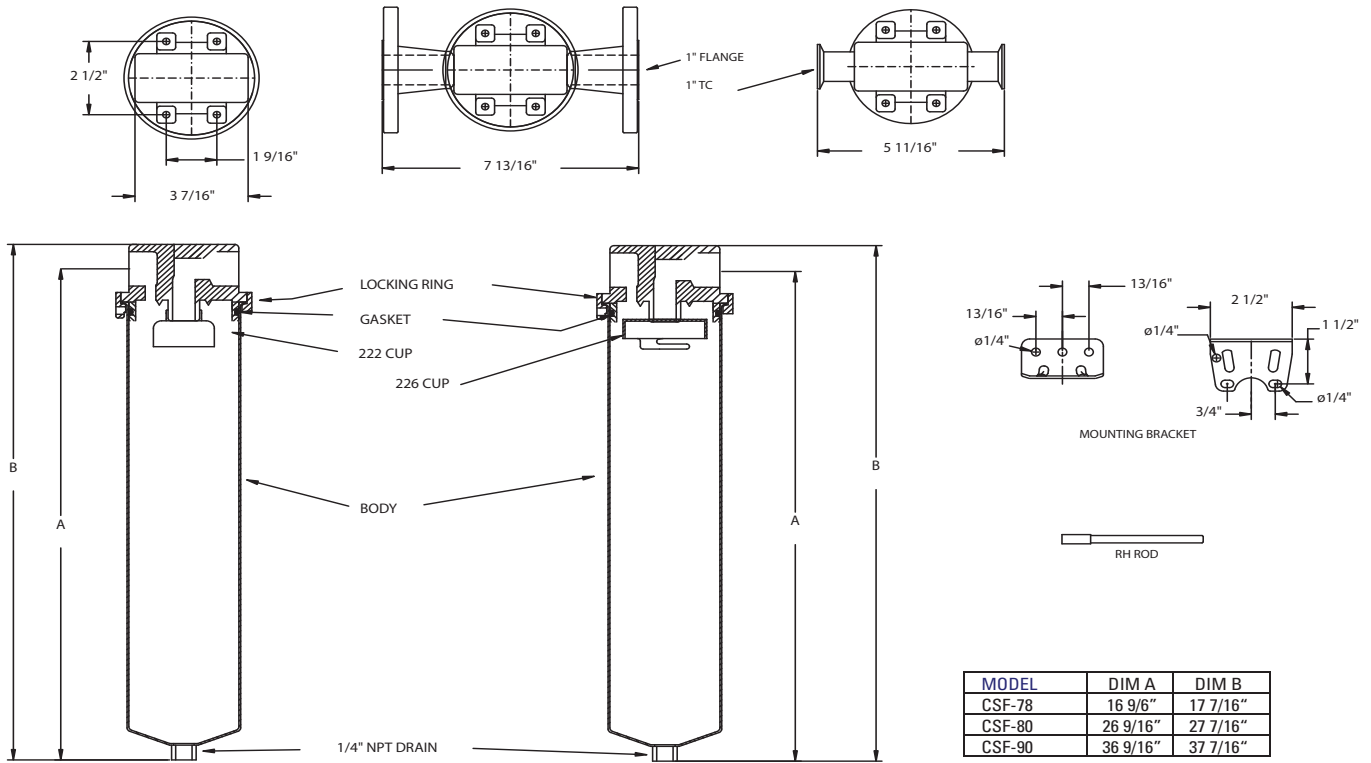


Standard Specifications

Model	No. & (Length) of Cartridge	Flow Rate GPM*	Drain	Max Ctg Diameter	Approx. Ship Weight	Box Size
CSF-78	1 (10")	7	1/4" NPT	2 3/4" OD	7 lbs	4x5x16
CSF-80	1 (20")	14	1/4" NPT	2 3/4" OD	9 lbs	4x5x25
CSF-90	1 (30")	21	1/4" NPT	2 3/4" OD	12 lbs	4x5x34

*Based on 7 gpm per 10" length with a 25 micron wound cartridge at 2 psid clean and a viscosity of 1 cps. Flow rates are for guide lines only. Actual flow rates are based on fluid, viscosity, cartridge type, micron ratings and other factors.

Dimensions



ORDERING GUIDE

CSF	-	78	8	-	222	-	ITC	-	S
Model / Material		Cartridge Length	Pipe Size FNPT		Cartridge Style		Options		Gasket
CSF 316 L Stainless Steel with stainless steel drain plug. Closure ring is nickel plated brass and is a non wetted part.		78 = 10" 80 = 20" 90 = 30"	6 = 3/4" 8 = 1"		222 = 222 Cup 226 = 226 Cup with locking tabs		Blank = None BSP = BSP thread 1F = 1" Flange 1TC = 1" Ferrules *GP4 = 1/4" gauge port *GP8 = 1/8" gauge port		Blank = Buna E = EPR S = Silicone V = Viton

* When ordering vents or gauge ports you must specify location I = Inlet, O = Outlet and I/O = Inlet & Outlet. Example GP4I or GP4I/O.



Head Office:
6120 Davies Road
Edmonton, AB
T6E 4M9

Phone: (780) 485-2010 • Toll Free: (866) 707-7867
Fax: (780) 485-1938
• Calgary • Drayton Valley • Lethbridge
www.rotatingright.com